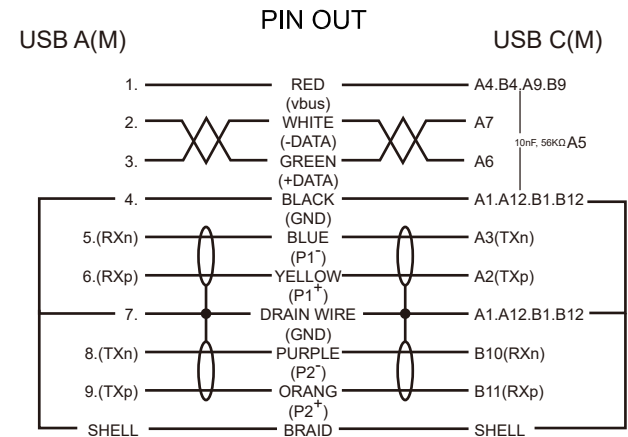
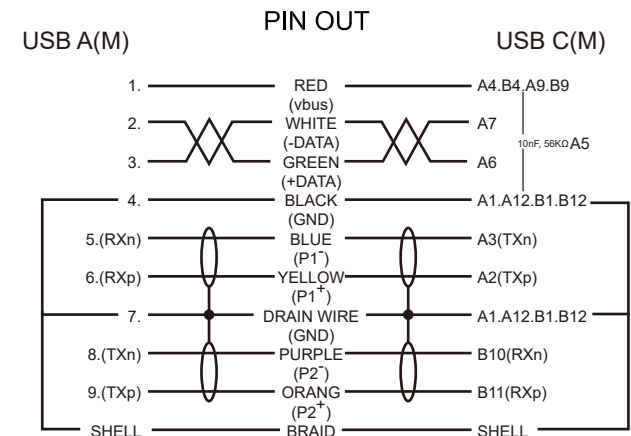
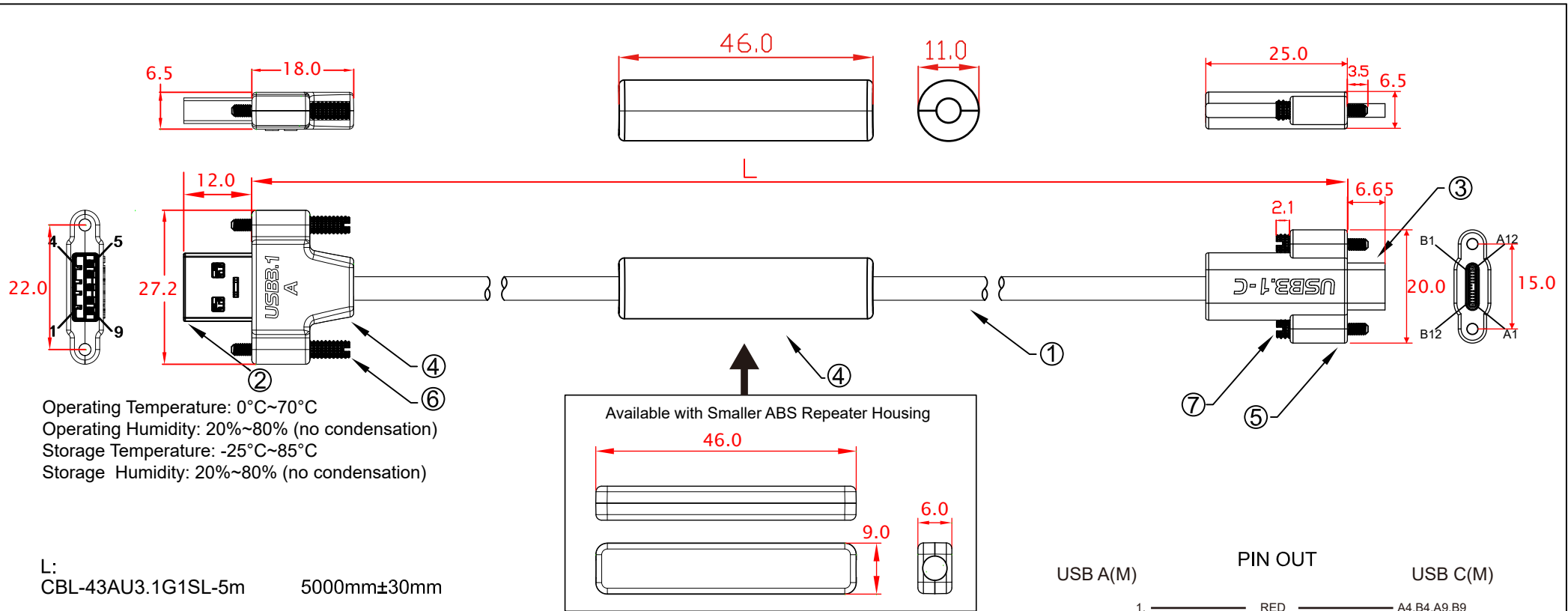


| No | MATERIALS LIST:   |
|----|---|
| 1. | CABLE:UL20276 (1P*30SC#+D+AL+Mylar)*2C+1P*32#+1C*24<br>OD:4.3mm PVC JACKET COLOR:BLUE |
| 2. | CONNECTOR:USB 3.0 A/M, 9P, BLUE INSULATOR SOLDER TYPE,<br>NICKEL PLATED SHELL         |
| 3. | CONNECTOR:USB 3.1 TYPE-C, MALE, NICKEL PLATED SHELL                                   |
| 4. | ABS ASSEMBLY HOUSING,BLUE COLOR   |
| 5. | SCREW:#3x15.8 M2  |
| 6. | SCREW:#3x20.7 M2  |

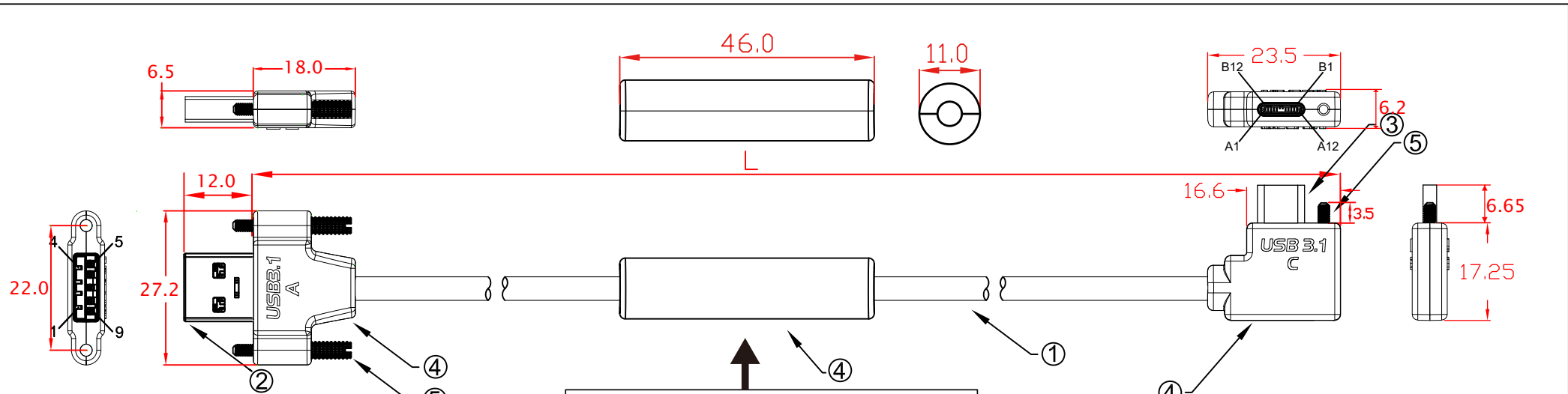


| Jargy part no.           | Client part no. | Approved | SCALE | UNIT |
|--------------------------|-----------------|----------|-------|------|
| CBL-43AU3.1G1SL-Xm       |                 |          |       | mm   |
| Drawing Name             |                 | Drawn    | Date  | REV. |
| USB 3.1 GEN 1 A to C M/M |                 |          |       | 1.0  |

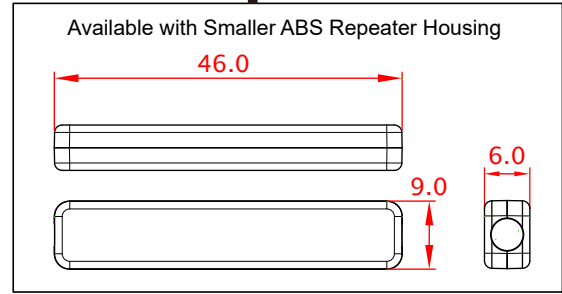


| No | MATERIALS LIST:   |
|----|---|
| 1. | CABLE:UL20276 (1P*30SC#+D+AL+Mylar)*2C+1P*32#+1C*24<br>OD:4.3mm PVC JACKET COLOR:BLUE |
| 2. | CONNECTOR:USB 3.0 A/M, 9P, BLUE INSULATOR SOLDER TYPE, NICKEL PLATED SHELL            |
| 3. | CONNECTOR:USB 3.1 TYPE-C, MALE, NICKEL PLATED SHELL                                   |
| 4. | ABS ASSEMBLY HOUSING,BLUE COLOR   |
| 5. | PVC MOLDED HOUSING, BLUE COLOR  |
| 6. | SCREW:#3x20.7 M2  |
| 7. | SCREW:#3x15.8 M2  |

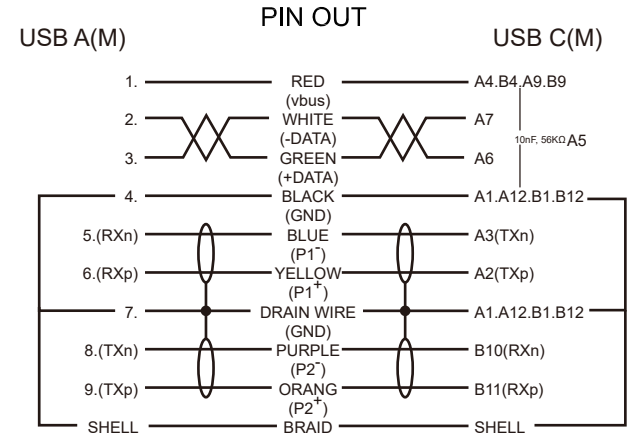
| Jargy part no.           | Client part no. | Approved | SCALE | UNIT |
|--------------------------|-----------------|----------|-------|------|
| CBL-43AU3.1G1SL-Xm       |                 |          |       | mm   |
| Drawing Name             |                 | Drawn    | Date  | REV. |
| USB 3.1 GEN 1 A to C M/M |                 |          |       | 1.0  |



Operating Temperature: 0°C~70°C  
 Operating Humidity: 20%~80% (no condensation)  
 Storage Temperature: -25°C~85°C  
 Storage Humidity: 20%~80% (no condensation)

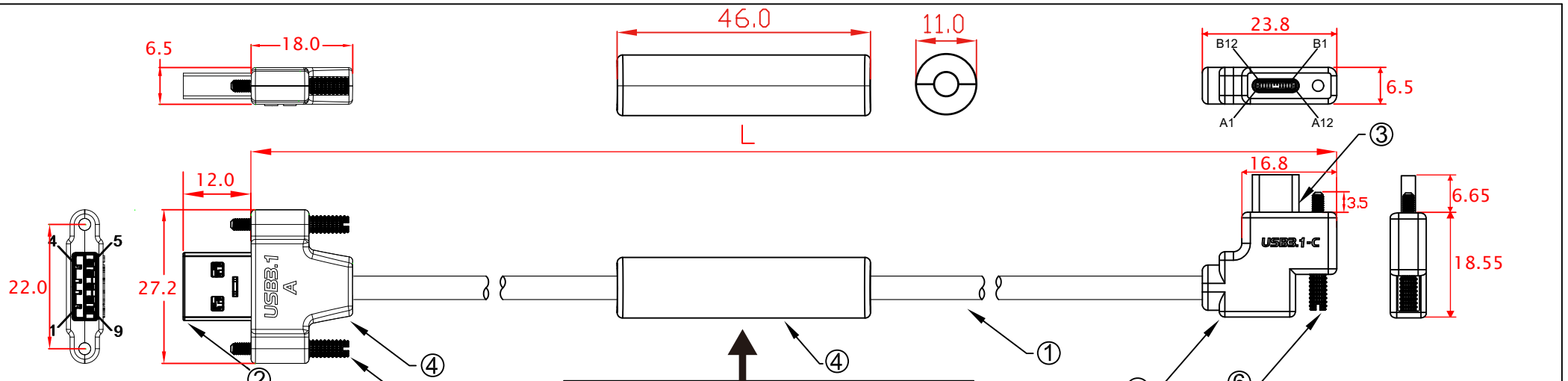


L: CBL-43AU3.1G1SS-5mLRA 5000mm±30mm

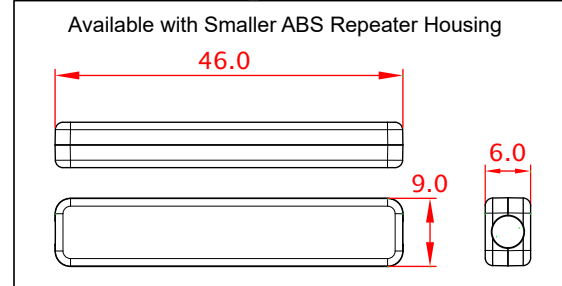


| No | MATERIALS LIST:   |
|----|---|
| 1. | CABLE:UL20276 (1P*30SC#+D+AL+Mylar)*2C+1P*32#+1C*24<br>OD:4.3mm PVC JACKET COLOR:BLUE |
| 2. | CONNECTOR:USB 3.0 A/M, 9P, BLUE INSULATOR SOLDER TYPE, NICKEL PLATED SHELL            |
| 3. | CONNECTOR:USB 3.1 TYPE-C, MALE, NICKEL PLATED SHELL                                   |
| 4. | ABS ASSEMBLY HOUSING,BLUE COLOR   |
| 5. | SCREW:#3x20.7 M2  |

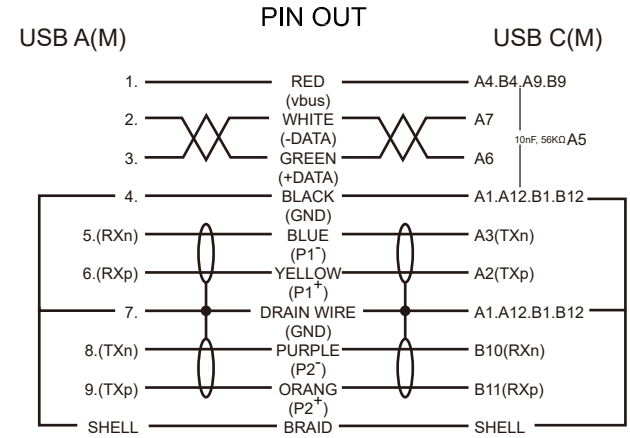
| Jargy part no.           | Client part no. | Approved | SCALE | UNIT |
|--------------------------|-----------------|----------|-------|------|
| CBL-43AU3.1G1SS-XmLRA    |                 |          |       | mm   |
| Drawing Name             |                 | Drawn    | Date  | REV. |
| USB 3.1 GEN 1 A to C M/M |                 |          |       | 1.0  |



Operating Temperature: 0°C~70°C  
 Operating Humidity: 20%~80% (no condensation)  
 Storage Temperature: -25°C~85°C  
 Storage Humidity: 20%~80% (no condensation)

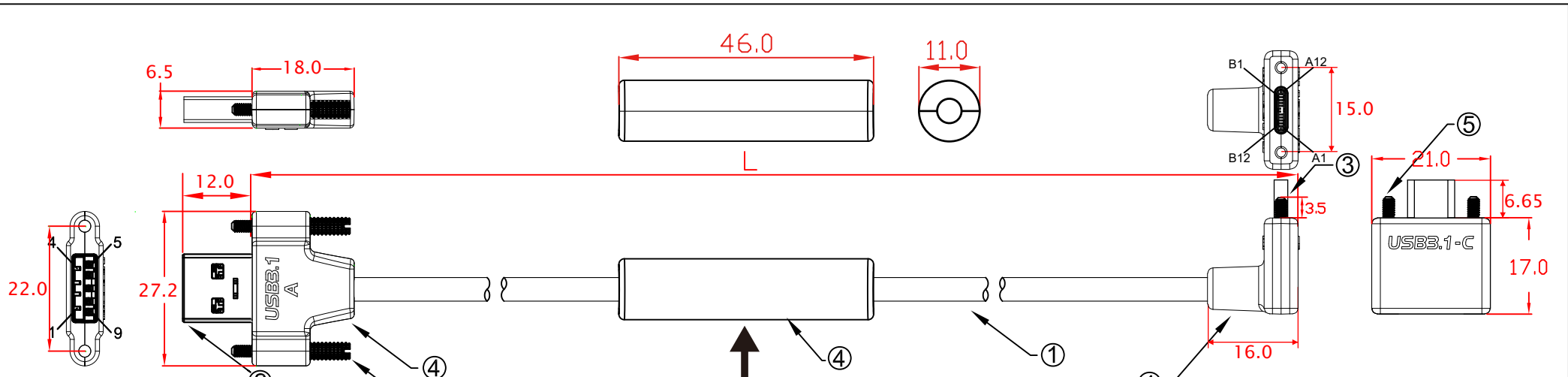


L:  
 CBL-43AU3.1G1SS-5mLRA 5000mm±30mm



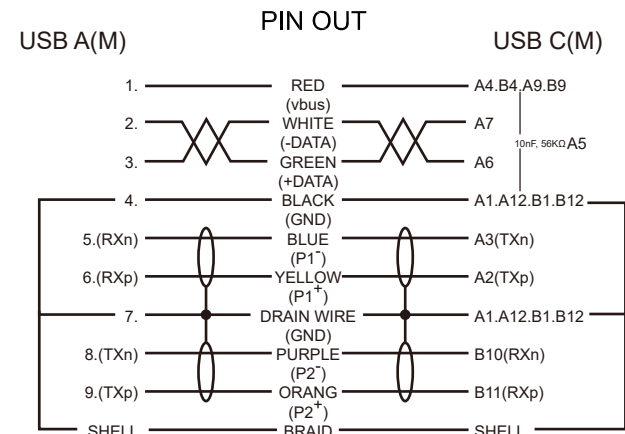
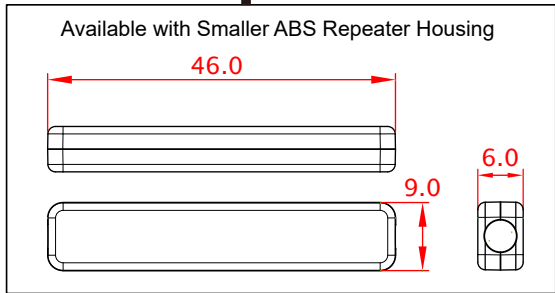
| No | MATERIALS LIST:   |
|----|---|
| 1. | CABLE:UL20276 (1P*30SC#+D+AL+Mylar)*2C+1P*32#+1C*24<br>OD:4.3mm PVC JACKET COLOR:BLUE |
| 2. | CONNECTOR:USB 3.0 A/M, 9P, BLUE INSULATOR SOLDER TYPE, NICKEL PLATED SHELL            |
| 3. | CONNECTOR:USB 3.1 TYPE-C, MALE, NICKEL PLATED SHELL                                   |
| 4. | ABS ASSEMBLY HOUSING,BLUE COLOR   |
| 5. | PVC MOLDED HOUSING, BLUE COLOR  |
| 6. | SCREW:#3x20.7 M2  |

| Jargy part no.           | Client part no. | Approved | SCALE | UNIT |
|--------------------------|-----------------|----------|-------|------|
| CBL-43AU3.1G1SS-XmLRA    |                 |          |       | mm   |
| Drawing Name             |                 | Drawn    | Date  | REV. |
| USB 3.1 GEN 1 A to C M/M |                 |          |       | 1.0  |



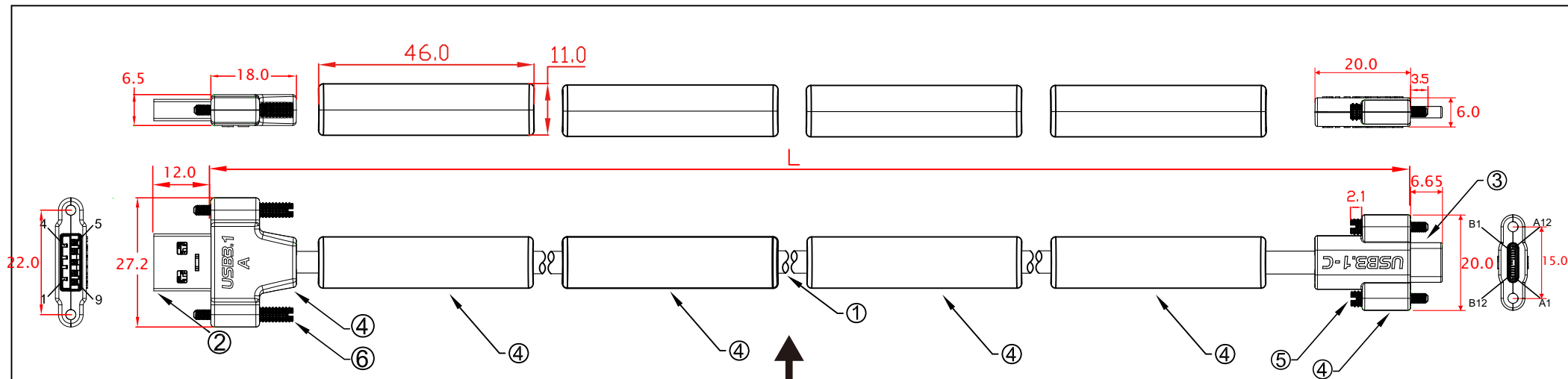
Operating Temperature: 0°C~70°C  
 Operating Humidity: 20%~80% (no condensation)  
 Storage Temperature: -25°C~85°C  
 Storage Humidity: 20%~80% (no condensation)

L:  
 CBL-43AU3.1G1SS-5mUDA      5000mm±30mm



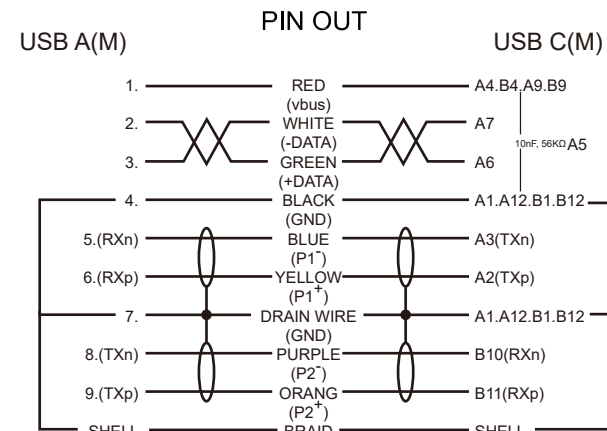
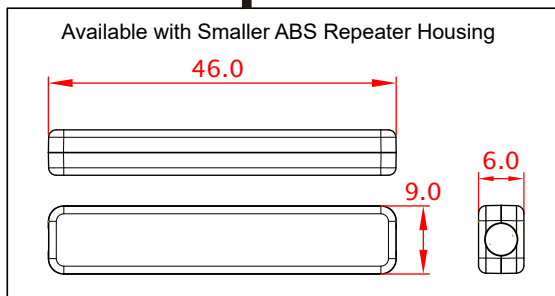
| No | MATERIALS LIST:   |
|----|---|
| 1. | CABLE:UL20276 (1P*30SC#+D+AL+Mylar)*2C+1P*32#+1C*24<br>OD:4.3mm PVC JACKET COLOR:BLUE |
| 2. | CONNECTOR:USB 3.0 A/M, 9P, BLUE INSULATOR SOLDER TYPE,<br>NICKEL PLATED SHELL         |
| 3. | CONNECTOR:USB 3.1 TYPE-C, MALE, NICKEL PLATED SHELL                                   |
| 4. | ABS ASSEMBLY HOUSING,BLUE COLOR   |
| 5. | SCREW:#3x20.7 M2  |
|    |   |
|    |   |

| Jargy part no.           | Client part no. | Approved | SCALE | UNIT |
|--------------------------|-----------------|----------|-------|------|
| CBL-43AU3.1G1SS-XmUDA    |                 |          |       | mm   |
| Drawing Name             |                 | Drawn    | Date  | REV. |
| USB 3.1 GEN 1 A to C M/M |                 |          |       | 1.0  |



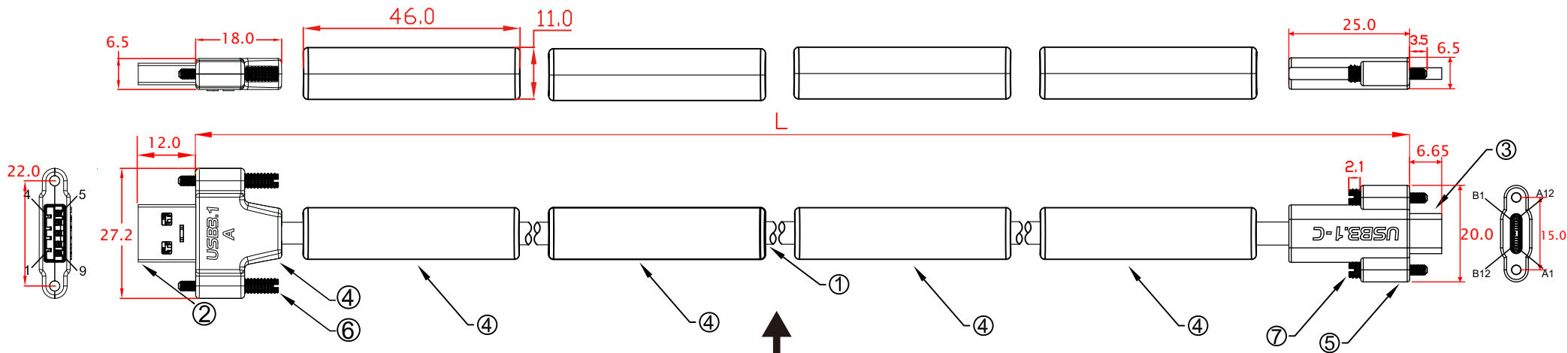
Operating Temperature: 0°C~70°C  
 Operating Humidity: 20%~80% (no condensation)  
 Storage Temperature: -25°C~85°C  
 Storage Humidity: 20%~80% (no condensation)

L:  
 CBL-43AU3.1G1SL-10m      10000mm±50mm



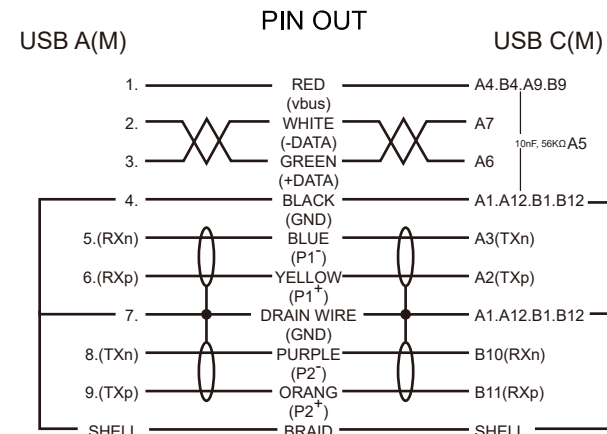
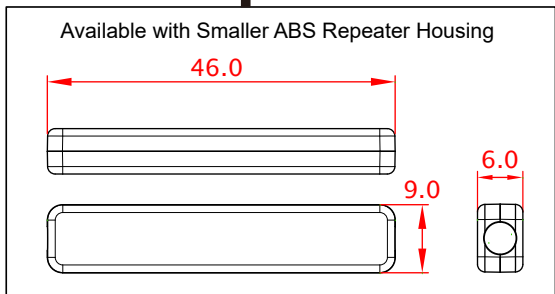
| No | MATERIALS LIST:   |
|----|---|
| 1. | CABLE:UL20276 (1P*30SC#+D+AL+Mylar)*2C+1P*32#+1C*24<br>OD:4.3mm PVC JACKET COLOR:BLUE |
| 2. | CONNECTOR:USB 3.0 A/M, 9P, BLUE INSULATOR SOLDER TYPE, NICKEL PLATED SHELL            |
| 3. | CONNECTOR:USB 3.1 TYPE-C, MALE, NICKEL PLATED SHELL                                   |
| 4. | ABS ASSEMBLY HOUSING,BLUE COLOR   |
| 5. | SCREW:#3x15.8 M2  |
| 6. | SCREW:#3x20.7 M2  |

| Jargy part no.           | Client part no. | Approved | SCALE | UNIT |
|--------------------------|-----------------|----------|-------|------|
| CBL-43AU3.1G1SL-Xm       |                 |          |       | mm   |
| Drawing Name             |                 | Drawn    | Date  | REV. |
| USB 3.1 GEN 1 A to C M/M |                 |          |       | 1.0  |



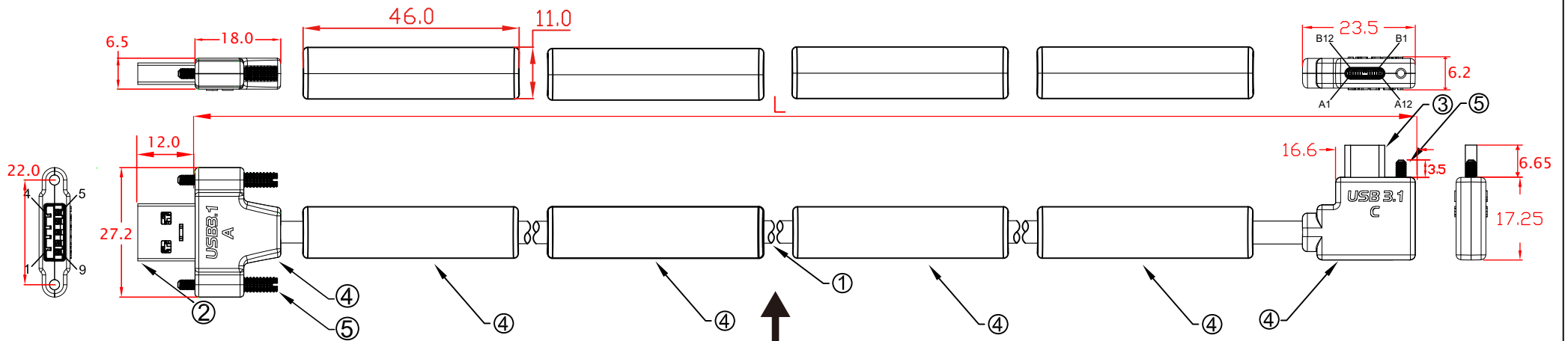
Operating Temperature: 0°C~70°C  
 Operating Humidity: 20%~80% (no condensation)  
 Storage Temperature: -25°C~85°C  
 Storage Humidity: 20%~80% (no condensation)

L:  
 CBL-43AU3.1G1SL-10m 10000mm±50mm



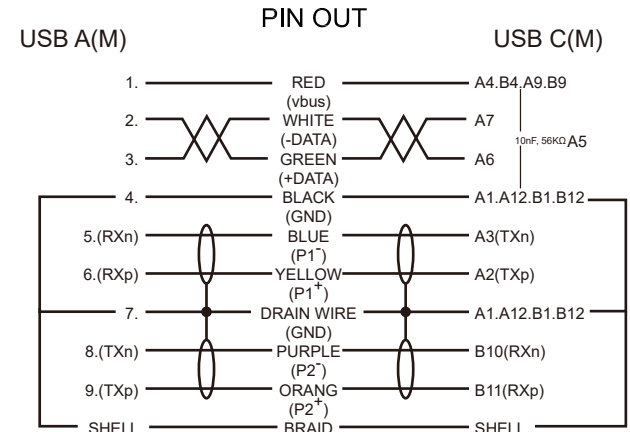
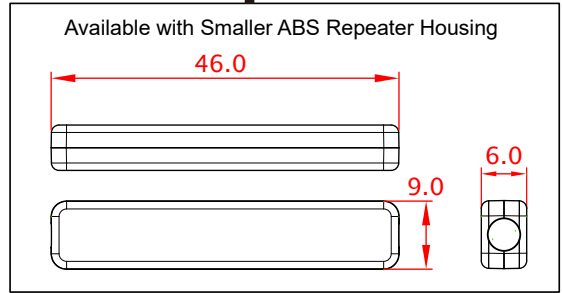
| No | MATERIALS LIST:   |
|----|---|
| 1. | CABLE:UL20276 (1P*30SC#+D+AL+Mylar)*2C+1P*32#+1C*24<br>OD:4.3mm PVC JACKET COLOR:BLUE |
| 2. | CONNECTOR:USB 3.0 A/M, 9P, BLUE INSULATOR SOLDER TYPE,<br>NICKEL PLATED SHELL         |
| 3. | CONNECTOR:USB 3.1 TYPE-C, MALE, NICKEL PLATED SHELL                                   |
| 4. | ABS ASSEMBLY HOUSING,BLUE COLOR   |
| 5. | PVC MOLDED HOUSING, BLUE COLOR  |
| 6. | SCREW:#3x20.7 M2  |
| 7. | SCREW:#3x15.8 M2  |

| Jargy part no.           | Client part no. | Approved | SCALE | UNIT |
|--------------------------|-----------------|----------|-------|------|
| CBL-43AU3.1G1SL-Xm       |                 |          |       | mm   |
| Drawing Name             |                 | Drawn    | Date  | REV. |
| USB 3.1 GEN 1 A to C M/M |                 |          |       | 1.0  |



Operating Temperature: 0°C~70°C  
 Operating Humidity: 20%~80% (no condensation)  
 Storage Temperature: -25°C~85°C  
 Storage Humidity: 20%~80% (no condensation)

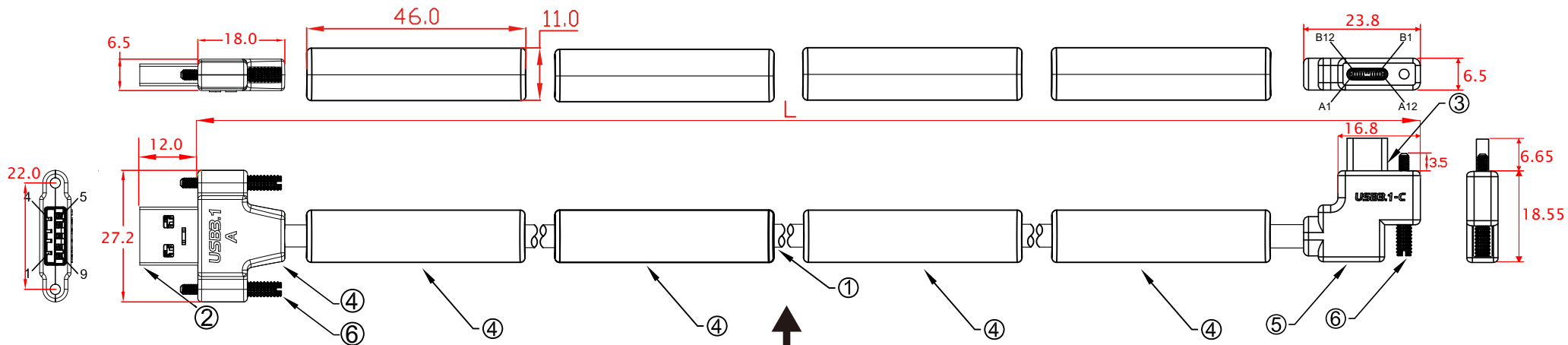
L:  
 CBL-43AU3.1G1SS-10mLRA 10000mm±50mm



| No | MATERIALS LIST:   |
|----|---|
| 1. | CABLE:UL20276 (1P*30SC#+D+AL+Mylar)*2C+1P*32#+1C*24<br>OD:4.3mm PVC JACKET COLOR:BLUE |
| 2. | CONNECTOR:USB 3.0 A/M, 9P, BLUE INSULATOR SOLDER TYPE, NICKEL PLATED SHELL            |
| 3. | CONNECTOR:USB 3.1 TYPE-C, MALE, NICKEL PLATED SHELL                                   |
| 4. | ABS ASSEMBLY HOUSING,BLUE COLOR   |
| 5. | SCREW:#3x20.7 M2  |
|    |   |
|    |   |

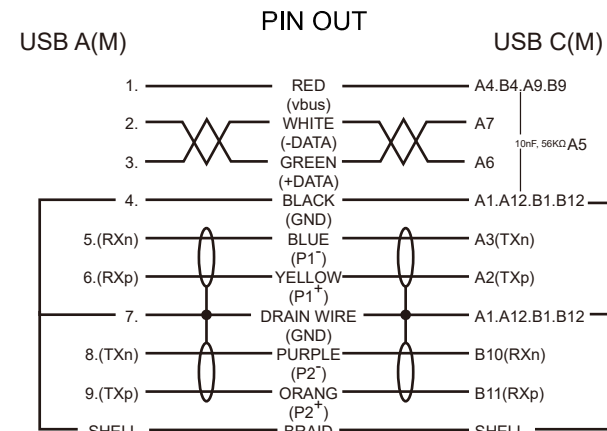
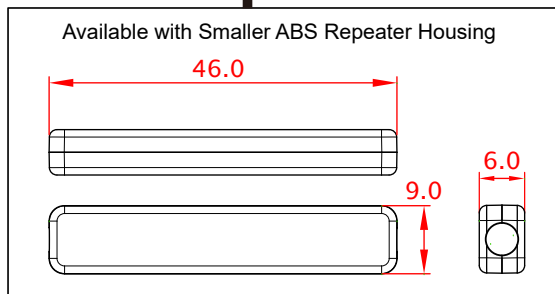
| Jargy part no.           | Client part no. | Approved | SCALE | UNIT |
|--------------------------|-----------------|----------|-------|------|
| CBL-43AU3.1G1SS-XmLRA    |                 |          |       | mm   |
| Drawing Name             |                 | Drawn    | Date  | REV. |
| USB 3.1 GEN 1 A to C M/M |                 |          |       | 1.0  |





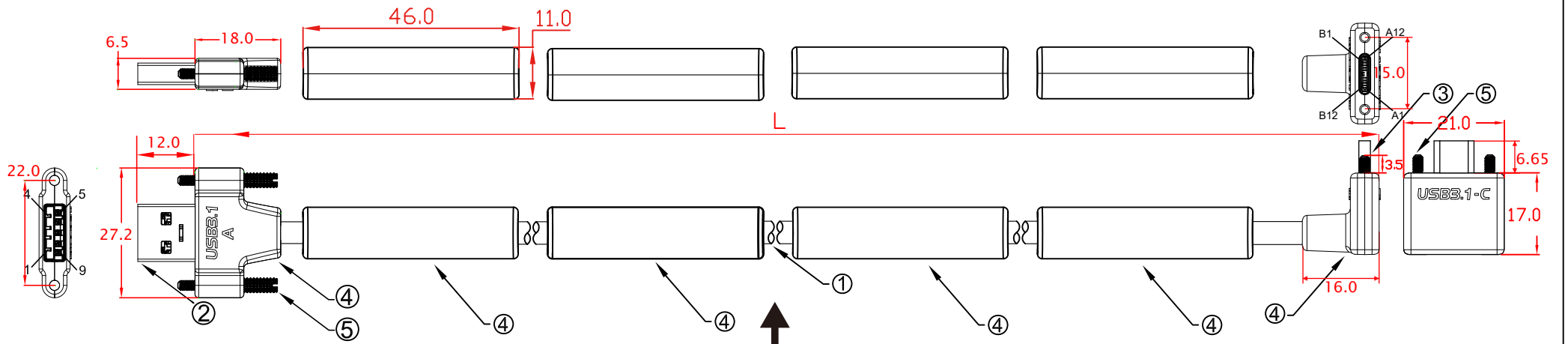
Operating Temperature: 0°C~70°C  
 Operating Humidity: 20%~80% (no condensation)  
 Storage Temperature: -25°C~85°C  
 Storage Humidity: 20%~80% (no condensation)

L:  
 CBL-43AU3.1G1SS-10mLRA 10000mm±50mm



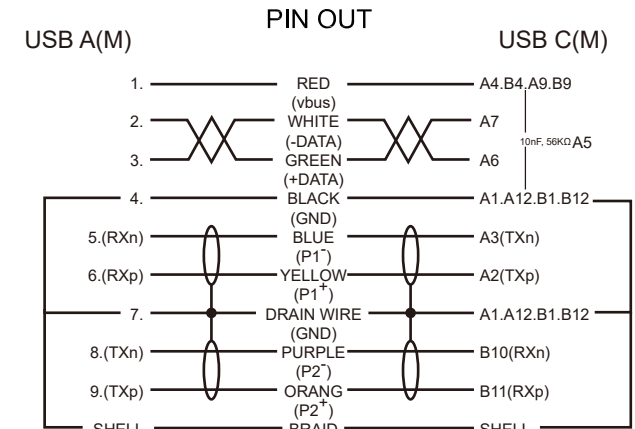
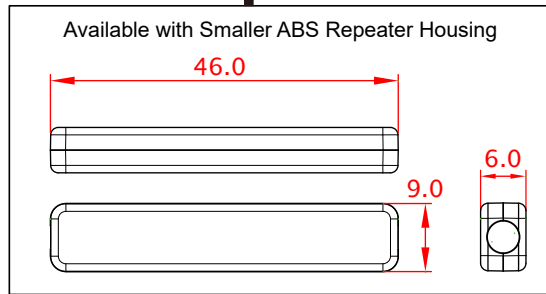
| No | MATERIALS LIST:   |
|----|---|
| 1. | CABLE:UL20276 (1P*30SC#+D+AL+Mylar)*2C+1P*32#+1C*24<br>OD:4.3mm PVC JACKET COLOR:BLUE |
| 2. | CONNECTOR:USB 3.0 A/M, 9P, BLUE INSULATOR SOLDER TYPE, NICKEL PLATED SHELL            |
| 3. | CONNECTOR:USB 3.1 TYPE-C, MALE, NICKEL PLATED SHELL                                   |
| 4. | ABS ASSEMBLY HOUSING,BLUE COLOR   |
| 5. | PVC MOLDED HOUSING, BLUE COLOR  |
| 6. | SCREW:#3x20.7 M2  |

| Jargy part no.           | Client part no. | Approved | SCALE | UNIT |
|--------------------------|-----------------|----------|-------|------|
| CBL-43AU3.1G1SS-XmLRA    |                 |          |       | mm   |
| Drawing Name             |                 | Drawn    | Date  | REV. |
| USB 3.1 GEN 1 A to C M/M |                 |          |       | 1.0  |



Operating Temperature: 0°C~70°C  
 Operating Humidity: 20%~80% (no condensation)  
 Storage Temperature: -25°C~85°C  
 Storage Humidity: 20%~80% (no condensation)

L:  
 CBL-43AU3.1G1SS-10mUDA 10000mm±50mm



| No | MATERIALS LIST:   |
|----|---|
| 1. | CABLE:UL20276 (1P*30SC#+D+AL+Mylar)*2C+1P*32#+1C*24<br>OD:4.3mm PVC JACKET COLOR:BLUE |
| 2. | CONNECTOR:USB 3.0 A/M, 9P, BLUE INSULATOR SOLDER TYPE, NICKEL PLATED SHELL            |
| 3. | CONNECTOR:USB 3.1 TYPE-C, MALE, NICKEL PLATED SHELL                                   |
| 4. | ABS ASSEMBLY HOUSING,BLUE COLOR   |
| 5. | SCREW:#3x20.7 M2  |

| Jargy part no.           | Client part no. | Approved | SCALE | UNIT |
|--------------------------|-----------------|----------|-------|------|
| CBL-43AU3.1G1SS-XmUDA    |                 |          |       | mm   |
| Drawing Name             |                 | Drawn    | Date  | REV. |
| USB 3.1 GEN 1 A to C M/M |                 |          |       | 1.0  |